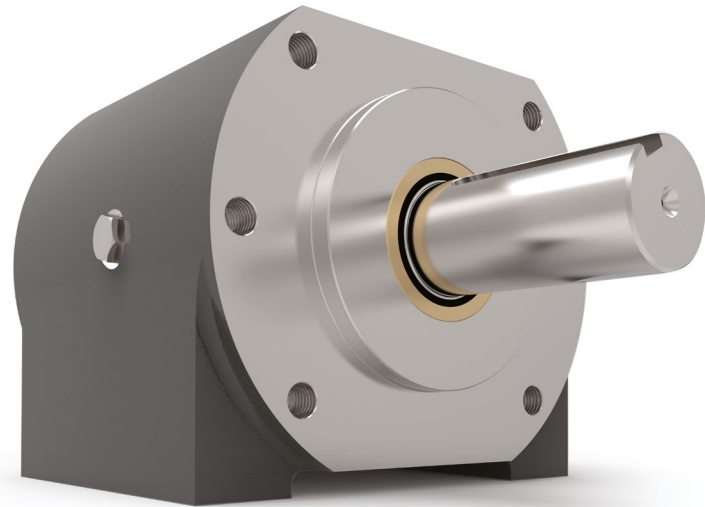


## Series 1136

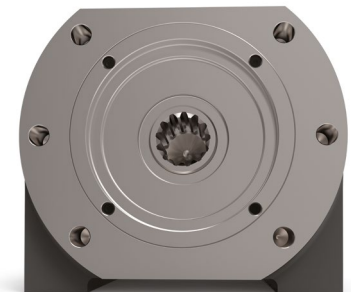
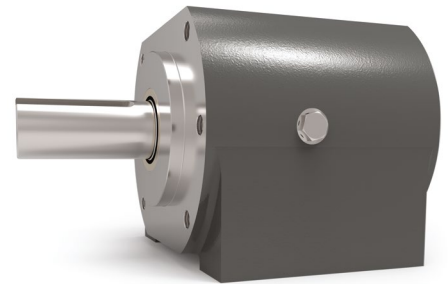


### Features

- SAE D 2-bolt or 4-bolt mounting
- Extra Heavy Duty Tapered Roller Bearings
- May be either Face-mounted or Foot-mounted
- Provides a sturdy mounting base for the motor or pump
- Supports heavy radial and axial loads – protecting the hydraulic motor or pump
- Reduces downtime and maintenance costs
- Protects pump or motor shaft seal from harmful contaminants
- Other versions with adaptor mounting for DIN, ISO, IEC or NEMA motors

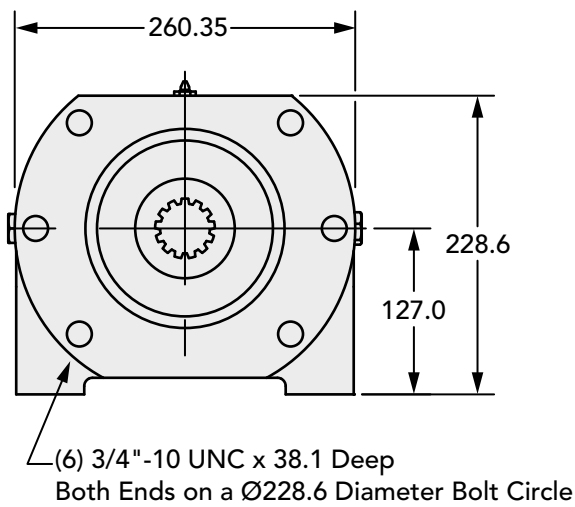
### 1136 Series Data

Input Standard	SAE D 2-bolt or SAE D 4-bolt mount
Input Pilot Diameter	152.4 mm
Input Pilot Depth	12.7 mm
Input Pilot Sealing Method	Fiber Gasket
Input Bore Diameter and Depth	13 tooth 8/16 spline (bore depth 99 mm) 44.45 mm – 11.11 mm x 5.56 mm (bore depth 96 mm)
Input Shaft Seal Type	Double-lip with Garter Spring
Output Shaft Diameter	57.15 mm
Output Shaft Keyway	12.7 mm x 6.35 mm keyway
Output Shaft Keyway Length	101.6 mm
Output Shaft Length	127.0 mm
Output Shaft Seal Type	Double-lip with Garter Spring
Output Pilot Diameter	152.4 mm
Output Pilot Height	12.7 mm
Shaft Material	Stressproof Steel (1.0762) or an equivalent
Bearing Type	Tapered Roller Bearings
Standard Lubrication Method	Grease
Optional Lubrication Methods	Please consult Zero-Max.
Grease Fitting	(2) Standard Zerk Fitting
Grease Capacity	Minimum ca. 590 ml (295 ml per grease fitting) Maximum ca. 885 ml (440 ml per grease fitting)
Grease Type (recommended for typical applications)	NLGI #2
Recommended Grease Base	Lithium
Standard Mounting Orientation	Shaft Horizontal – Consult Zero-Max for other Mounting Orientations.
Maximum Speed Without Modification	2500 RPM
Housing Material	Cast Iron
Housing Feet - Threaded Holes	(4) 3/4"-10 UNC x 38.1 mm
Housing Grease Ports	1/4-18 NPT
Unit Weight	88.45 kg

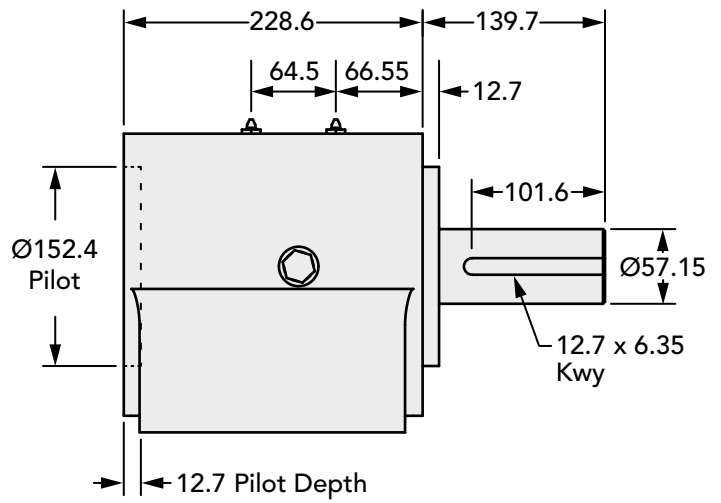


## Technical Information (all dimensions in mm)

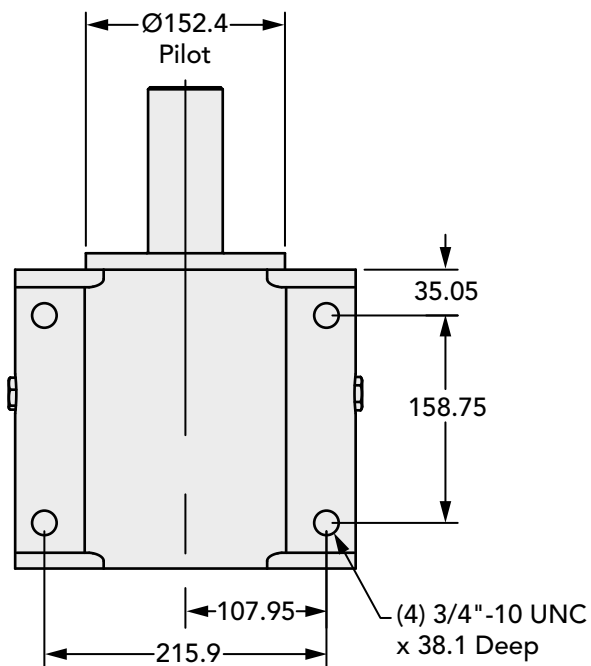
### Input End View



### Side View



### Bottom View



### How to Order

#### 1136 Series Data

Model	Output Shaft – Keyway	Input Bore – Keyway
1136-13S	57.15 mm – 12.7 mm x 6.35 mm	13 Tooth 8/16 Spline
1136-28	57.15 mm – 12.7 mm x 6.35 mm	44.45 mm – 11.11 mm x 5.56 mm