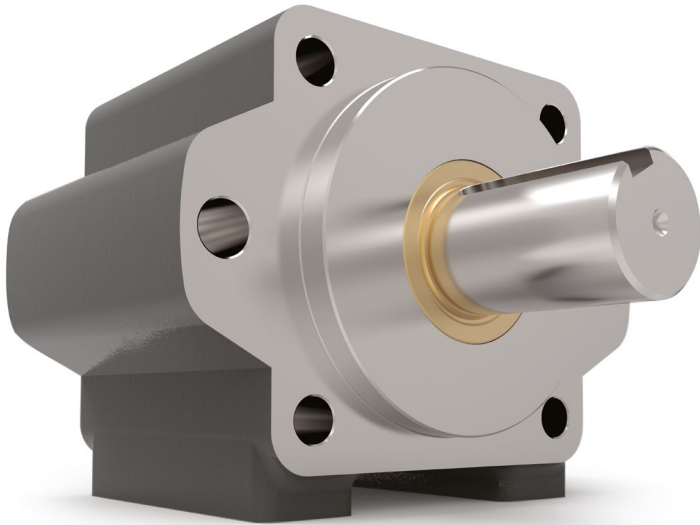


Series 928

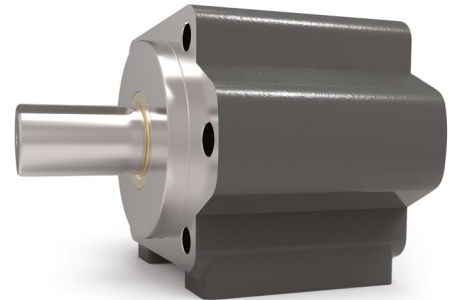


Features

- SAE C 2-bolt 4-bolt mounting
- Extra Heavy Duty Tapered Roller Bearings
- May be either Face-mounted or Foot-mounted
- Provides a sturdy mounting base for the motor or pump
- Supports heavy radial and axial loads – protecting the hydraulic motor or pump
- Reduces downtime and maintenance costs
- Protects pump or motor shaft seal from harmful contaminants
- Other versions with adaptor mounting for DIN, ISO, IEC or NEMA motors

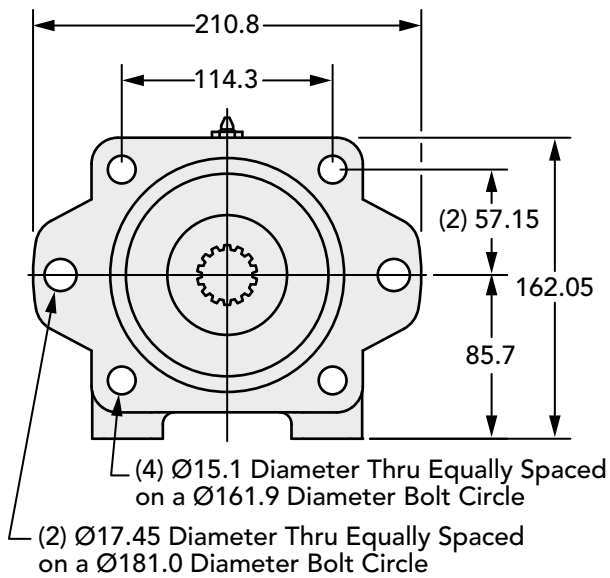
928 Series Data

Input Standard	SAE C 2-bolt or SAE C 4-bolt mount
Input Pilot Diameter	127.0 mm
Input Pilot Depth	12.7 mm
Input Pilot Sealing Method	Fiber Gasket
Input Bore Diameter and Depth	14 tooth 12/24 spline (bore depth 78 mm)
	17 tooth 12/24 spline (bore depth 88 mm)
	38.1 mm – 9.53 mm x 4.76 mm (bore depth 91 mm)
	44.45 mm – 11.11 mm x 5.56 mm (bore depth 91 mm)
Input Shaft Seal Type	Double-lip with Garter Spring
Output Shaft Diameter	38.1 mm
Output Shaft Keyway	11.11 mm x 5.56 mm keyway
Output Shaft Keyway Length	64.25 mm
Output Shaft Length	76.2 mm
Output Shaft Seal Type	Double-lip with Garter Spring
Output Pilot Diameter	127.0 mm
Output Pilot Height	12.7 mm
Shaft Material	Stressproof Steel (1.0762) or an equivalent
Bearing Type	Tapered Roller Bearings
Standard Lubrication Method	Grease
Optional Lubrication Methods	Please consult Zero-Max.
Grease Fitting	(1) Standard Zerk Fitting
Grease Capacity	Minimum ca. 125 ml
	Maximum ca. 250 ml
Grease Type (recommended for typical applications)	NLGI #2
Recommended Grease Base	Lithium
Standard Mounting Orientation	Shaft Horizontal – Consult Zero-Max for other Mounting Orientations.
Maximum Speed Without Modification	1900 RPM
Housing Material	Cast Iron
Housing Feet - Threaded Holes	(4) 1/2"-13 UNC x 25.4 mm
Housing Grease Ports	1/4-18 NPT
Unit Weight	24.95 kg

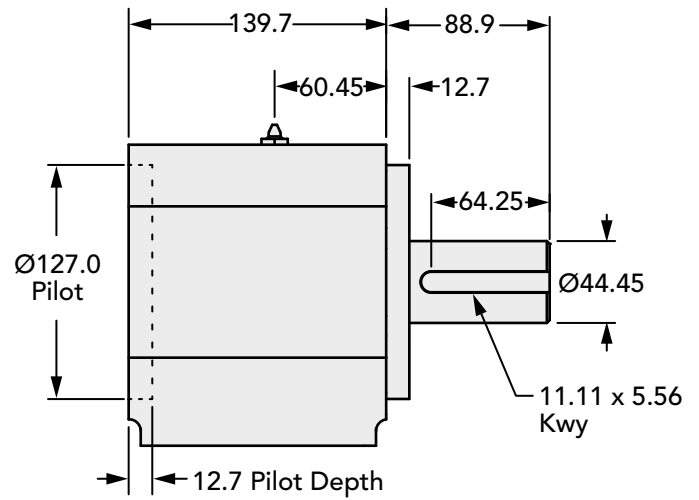


Technical Information (all dimensions in mm)

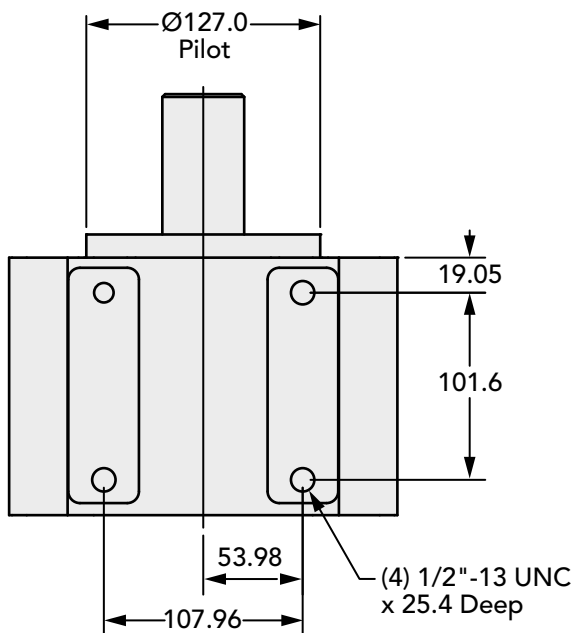
Input End View



Side View



Bottom View



How to Order

928 Series Daten

Model	Output Shaft – Keyway	Input Bore – Keyway
915-14S	38.1 mm – 9.53 mm x 4.76 mm	14 Tooth 12/24 Spline
915-17S	38.1 mm – 9.53 mm x 4.76 mm	17 Tooth 12/24 Spline
915-24	38.1 mm – 9.53 mm x 4.76 mm	38.1 mm – 9.53 mm x 4.76 mm
915-28	38.1 mm – 9.53 mm x 4.76 mm	44.45 mm – 11.11 mm x 5.56 mm