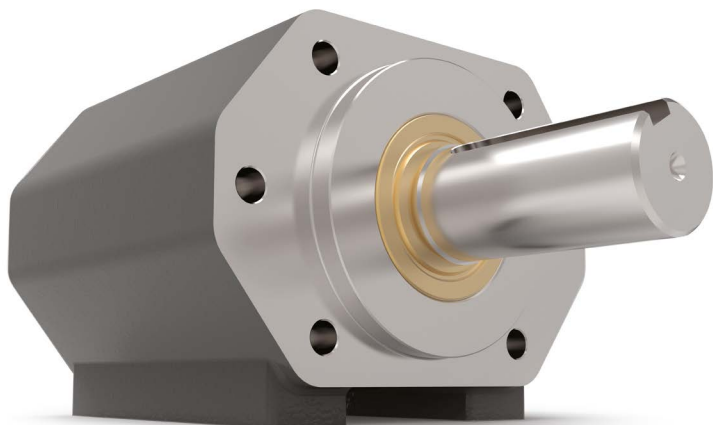


Series 650



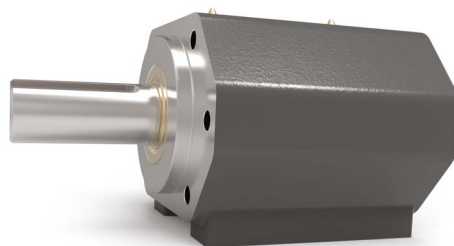
Features

- SAE B 2-bolt or 4-bolt mounting
- Heavy Duty Spherical Roller Bearings
- May be either Face-mounted or Foot-mounted
- Provides a sturdy mounting base for the motor or pump
- Supports heavy radial and axial loads – protecting the hydraulic motor or pump
- Reduces downtime and maintenance costs
- Protects pump or motor shaft seal from harmful contaminants
- Other versions with adaptor mounting for DIN, ISO, IEC or NEMA motors

Extra-Duty Series Enhancements:

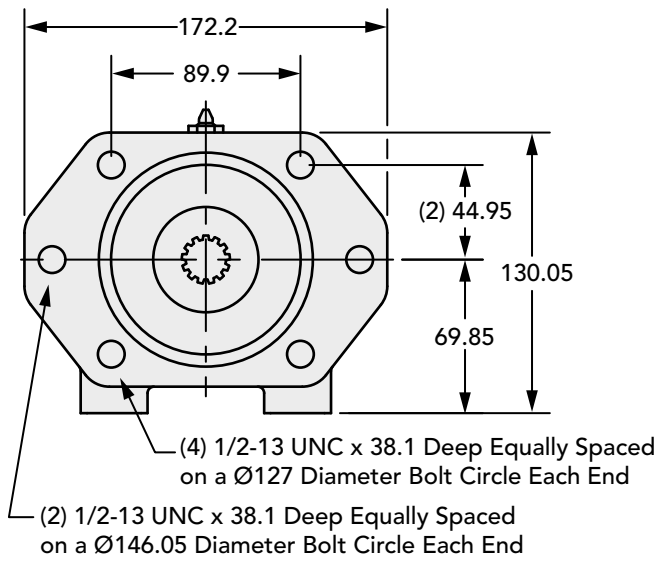
Extended Housing • Spherical Roller Bearings
Heat-Treated Shaft • Dual NPT Grease Zerk
O-Ring Input Seal • Double-Primary Lip Output Seal

650 Serie Data	
Input Standard	SAE B 2-bolt or SAE B 4-bolt mount
Input Pilot Diameter	101.6 mm
Input Pilot Depth	12.7 mm
Input Pilot Sealing Method	O-Ring
Input Bore Diameter and Depth	13 tooth 16/32 spline (bore depth 61 mm) 15 tooth 16/32 spline (bore depth 61 mm)
Output Shaft Diameter	38.1 mm
Output Shaft Keyway	9.53 mm x 4.76 mm keyway
Output Shaft Keyway Length	71.35 mm
Output Shaft Length	88.9 mm
Output Shaft Seal Type	Double Primary Lip Seal With Garter Springs
Output Pilot Diameter	101.6 mm
Output Pilot Height	9.53 mm
Shaft Material	Stressproof Steel (1.0762) or an equivalent
Bearing Type	Spherical Roller Bearing
Standard Lubrication Method	Grease
Optional Lubrication Methods	Please consult Zero-Max.
Grease Fittings	(1) Standard Zerk Fitting
Grease Capacity	Minimum ca. 100 ml (50 ml per grease fitting) Maximum ca. 200 ml (100 ml per grease fitting)
Grease Type (recommended for typical applications)	NLGI #2
Recommended Grease Base	Lithium
Standard Mounting Orientation	Shaft Horizontal – Consult Zero-Max for other Mounting Orientations.
Maximum Speed Without Modification	3500 RPM
Housing Material	Cast Iron
Housing Feet - Threaded Holes	(4) 7/16"-14 UNC x 19.05 mm
Housing Grease Ports	(2) 1/4-18 NPT
Unit Weight	18 kg

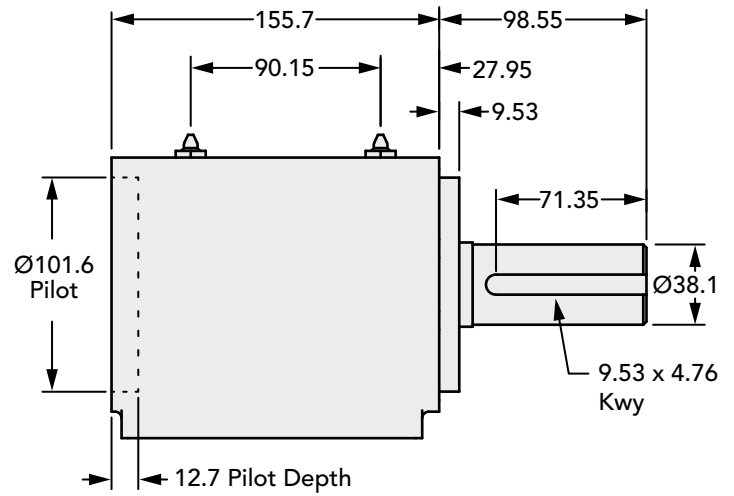


Technical Information (all dimensions in mm)

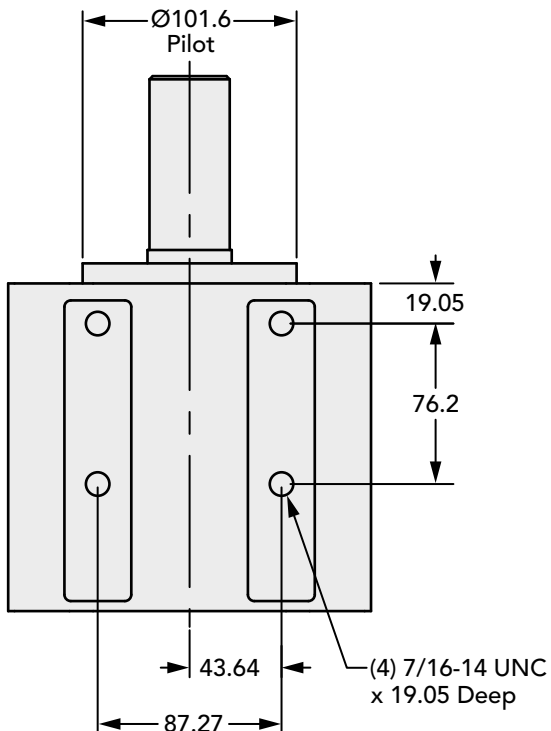
Input End View



Side View



Bottom View



How to Order

650 Serie Data

Model	Output Shaft – Keyway	Input Bore – Keyway
650-13S	38.1 mm – 9.53 mm x 4.76 mm	13 Zähne 16/32 Verzahnung
650-15S	38.1 mm – 9.53 mm x 4.76 mm	15 Zähne 16/32 Verzahnung